

16 15 14 13 12 11 10 9 8 7 6 5 4 3 2 1

M

L

K

J

H

G

F

E

D

C

B

A

M

L

K

J

H

G

F

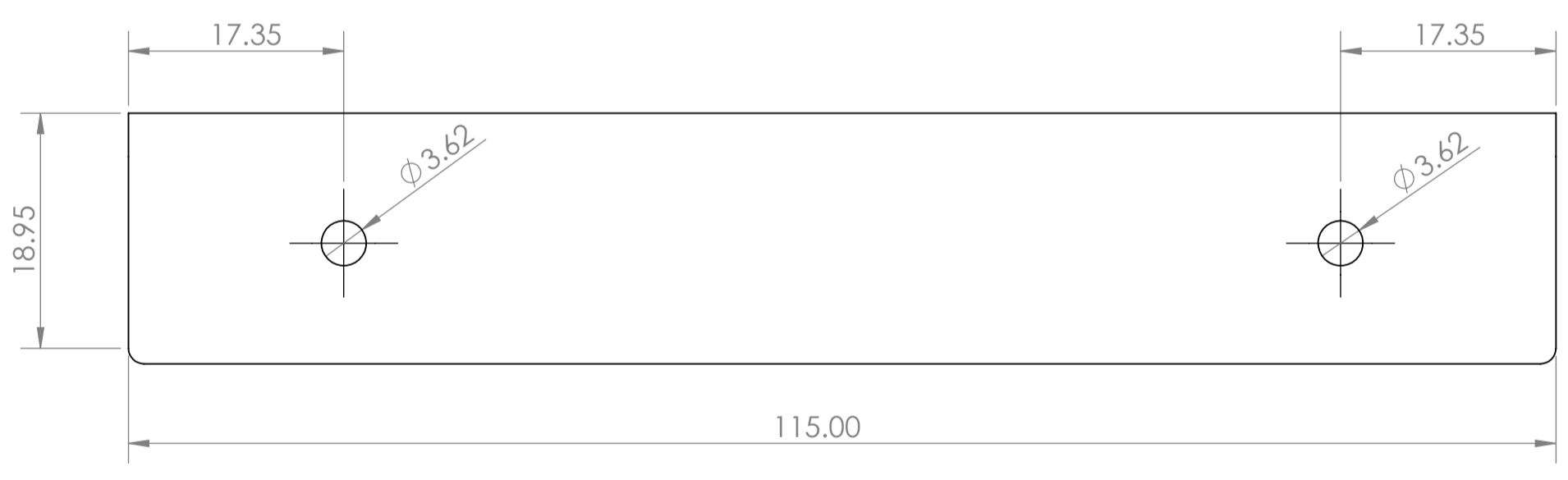
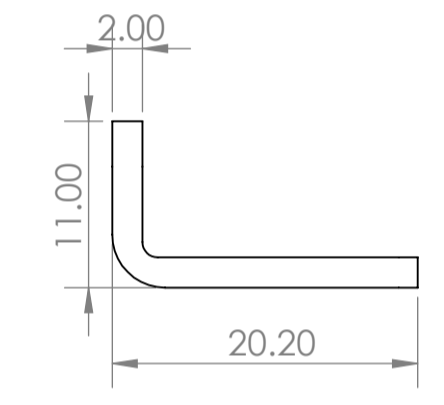
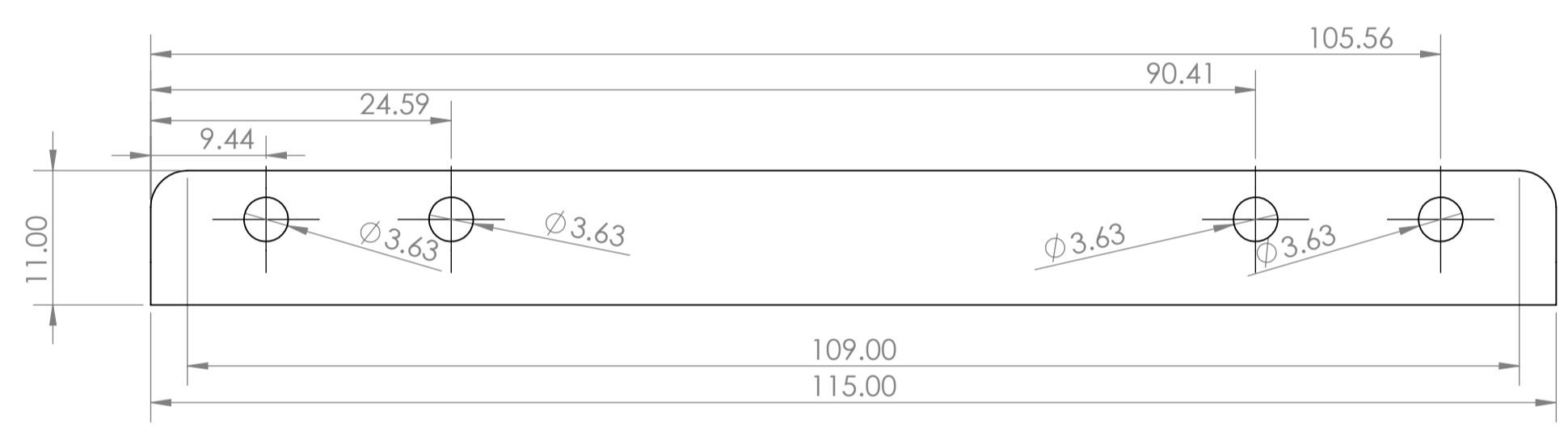
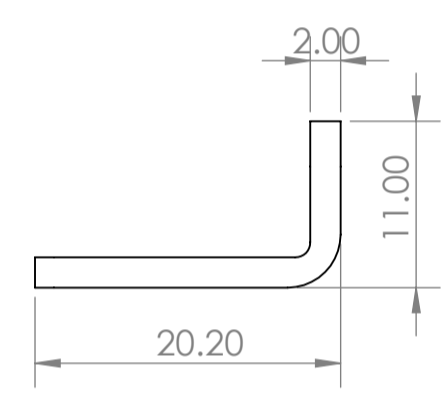
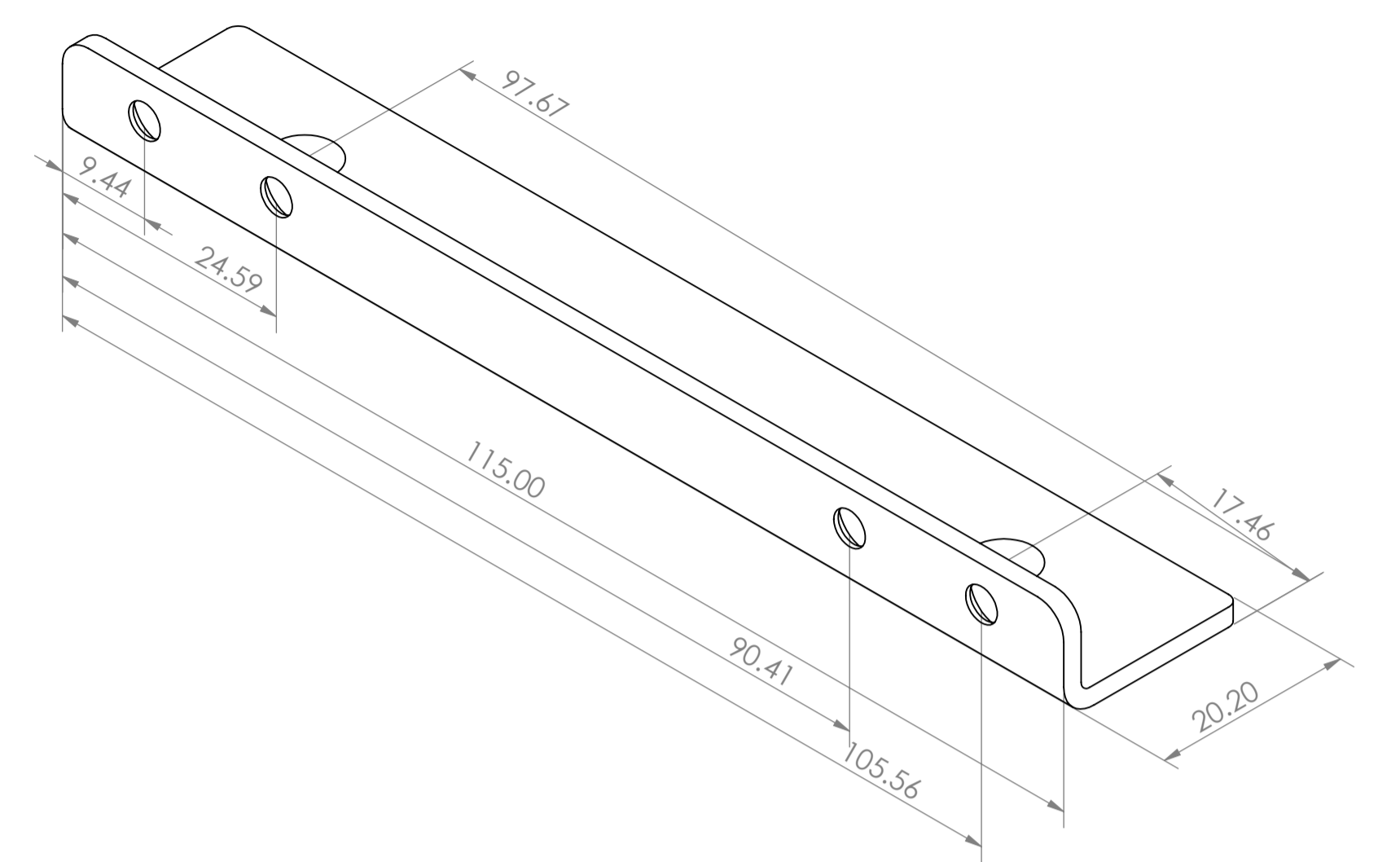
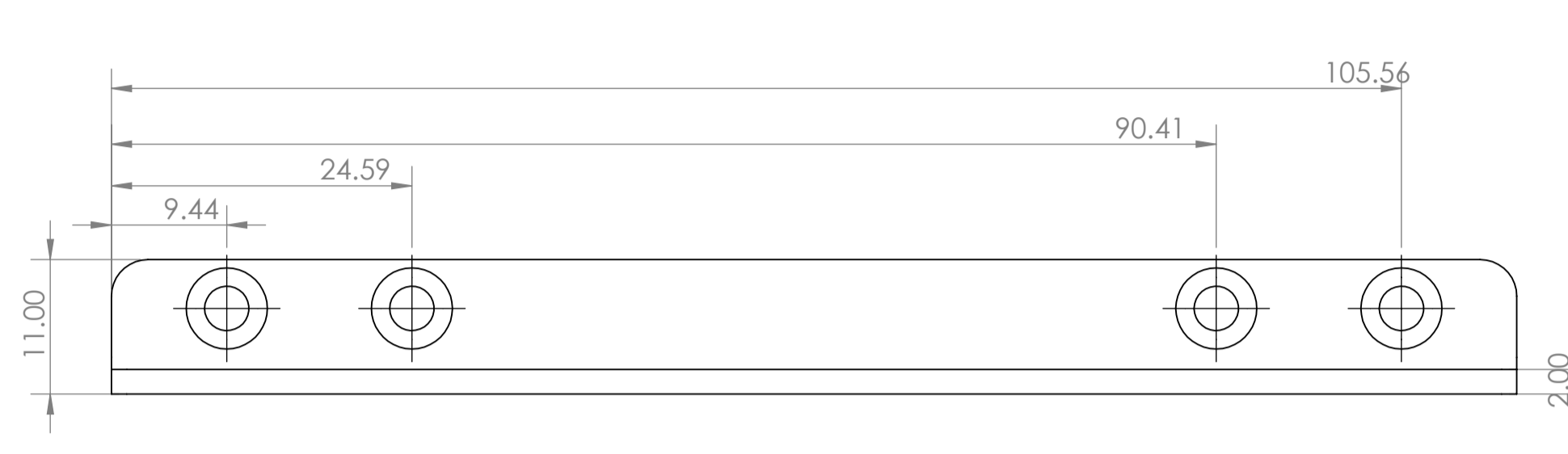
E

D

C

B

A



UNLESS OTHERWISE SPECIFIED: DIMENSIONS ARE IN MILLIMETERS			FINISH:			DEBURR AND BREAK SHARP EDGES			DO NOT SCALE DRAWING			REVISION		
SURFACE FINISH:														
TOLERANCES:														
LINEAR:														
ANGULAR:														
DRAWN			NAME			SIGNATURE			DATE			TITLE		
CHKD														
APPVD														
MRG														
Q.A.														
									MATERIAL:			DWG NO.		
												31218_TF_SIDE_MTG_PLATE		
									WEIGHT:			SCALE: 2:1		
												SHEET 1 OF 1		

16 15 14 13 12 11 10 9 8 7 6 5 4 3 2 1

A