

16

15

14

13

12

11

10

9

8

7

6

5

4

3

2

1

M

M

L

L

K

K

J

J

H

H

G

G

F

F

E

E

D

D

C

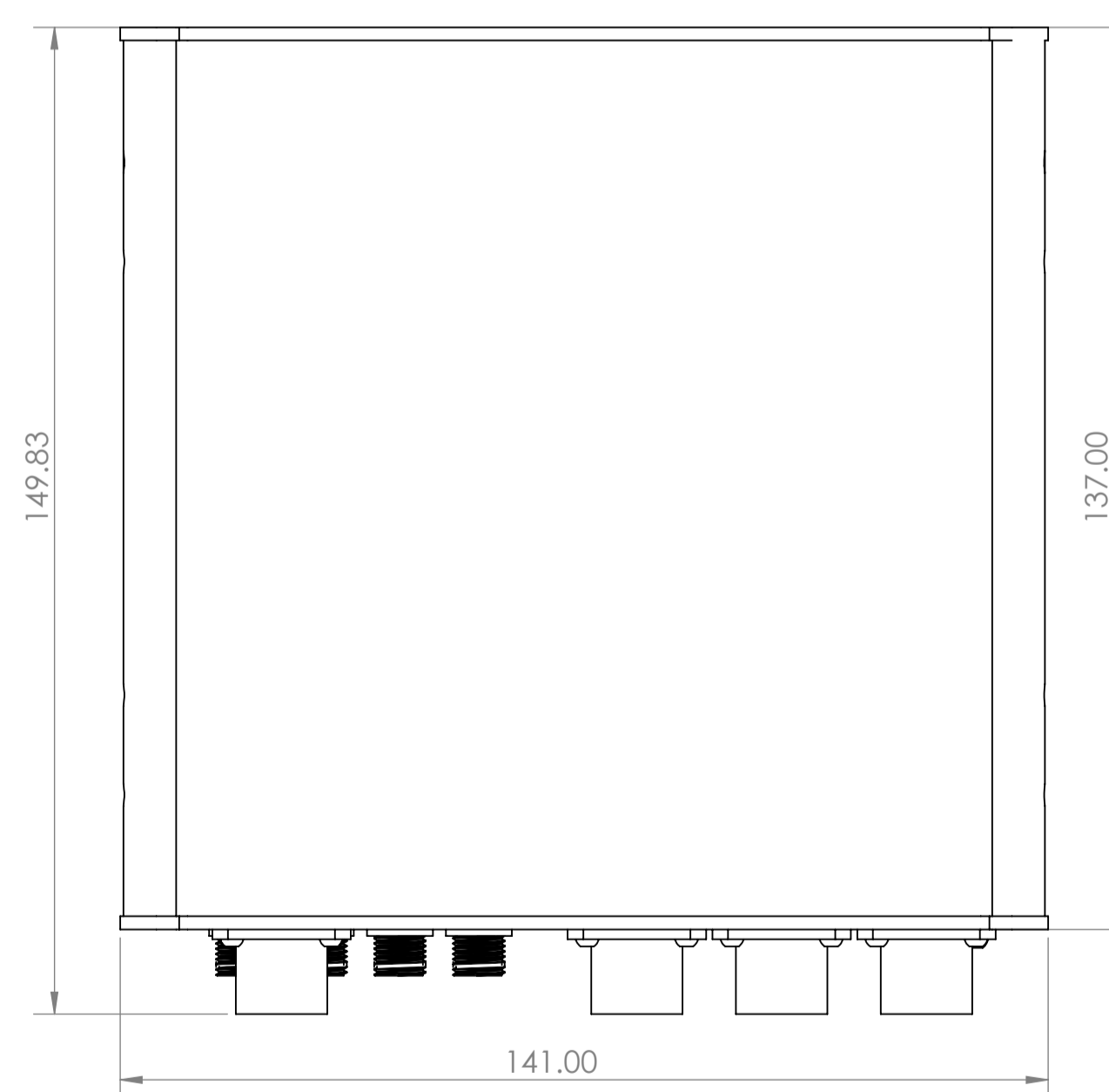
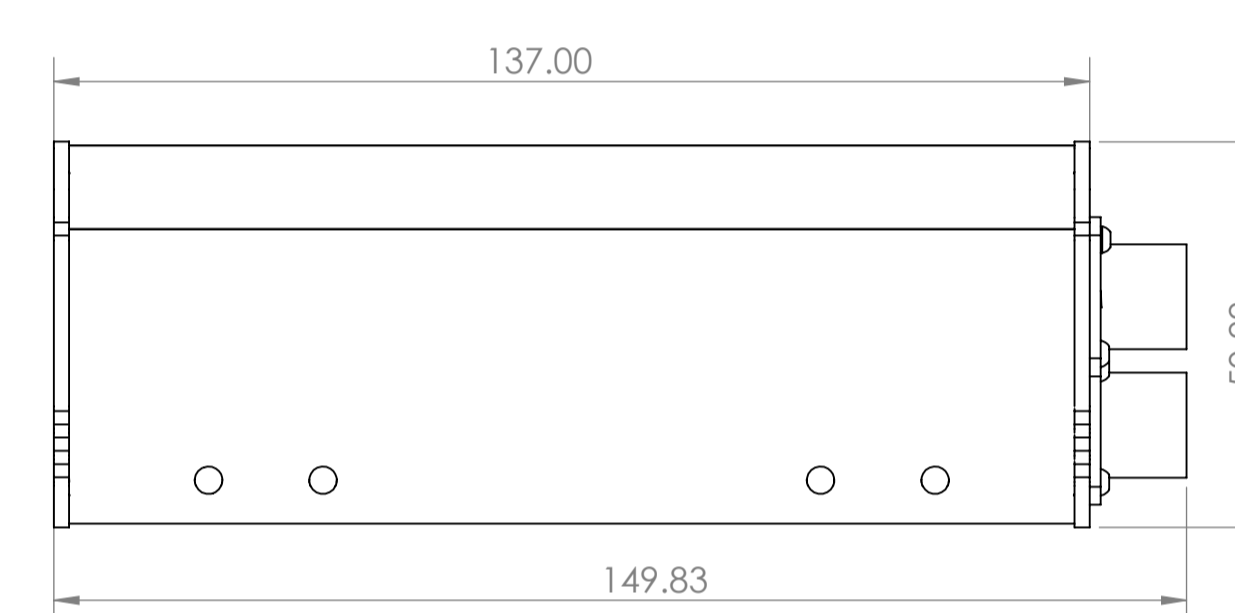
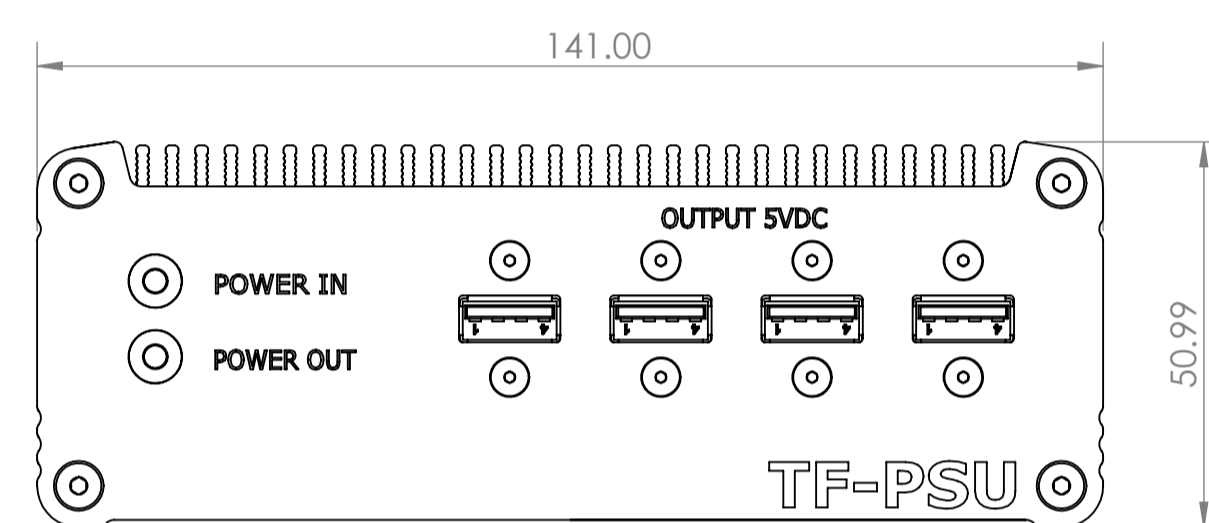
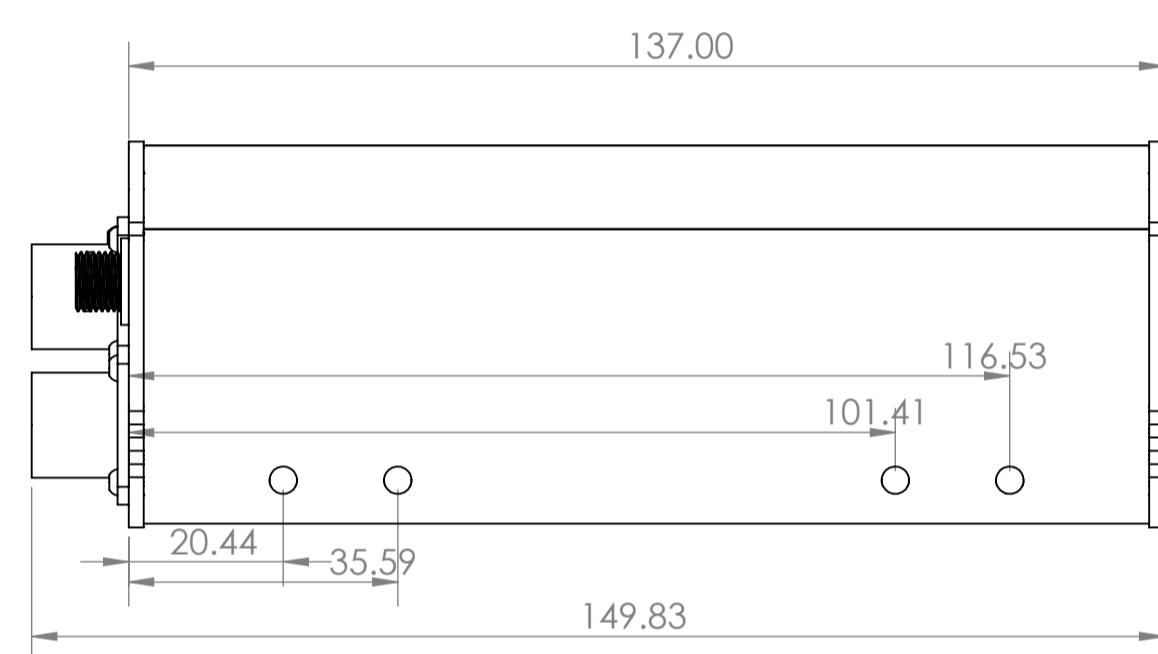
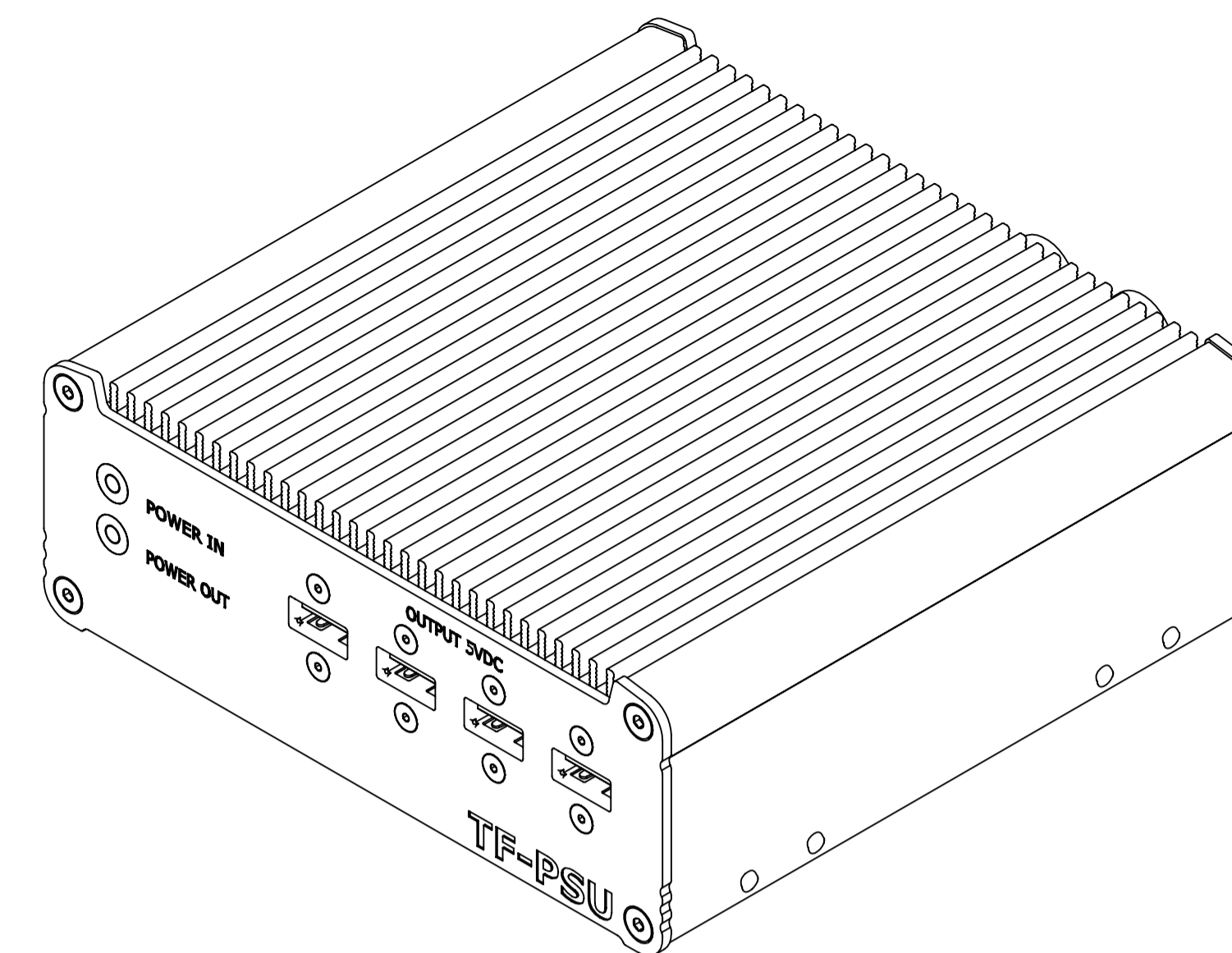
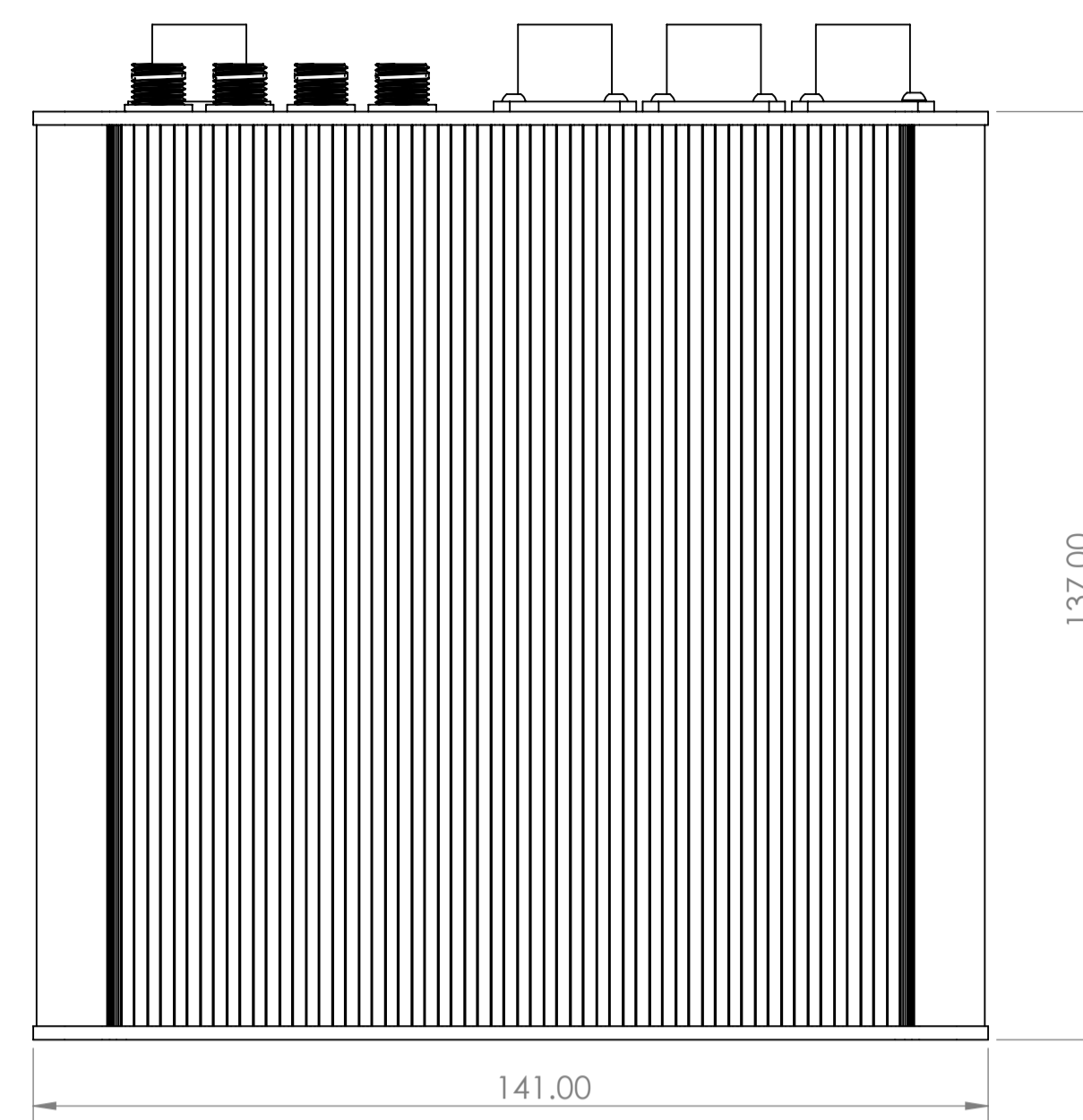
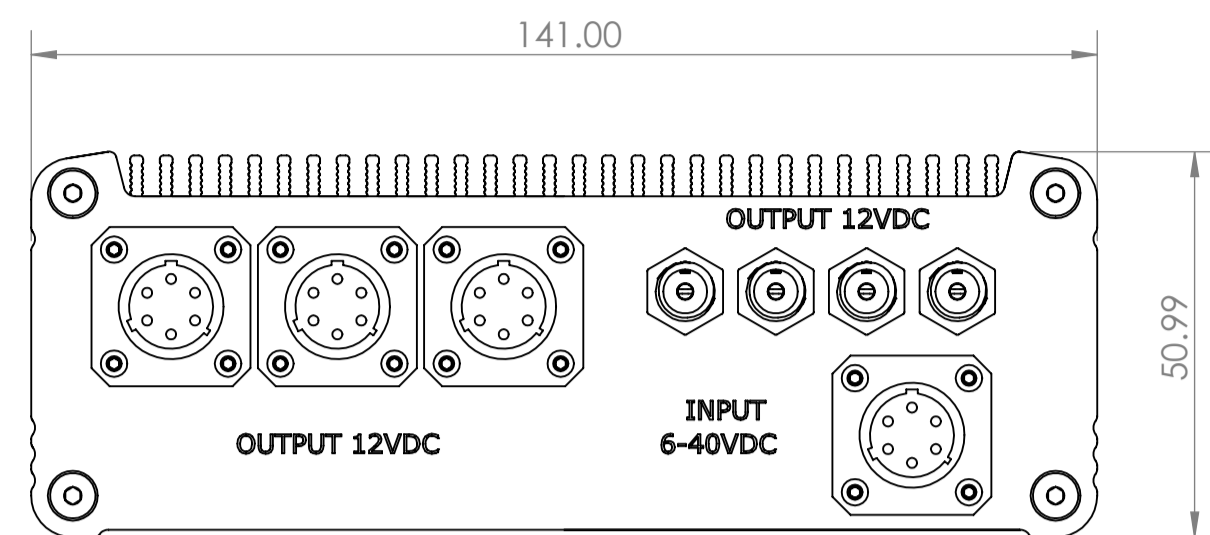
C

B

B

A

A



UNLESS OTHERWISE SPECIFIED: DIMENSIONS ARE IN MILLIMETERS SURFACE FINISH: TOLERANCES: LINEAR: ANGULAR:			FINISH:	DEBURR AND BREAK SHARP EDGES	DO NOT SCALE DRAWING	REVISION
DRAWN	NAME	SIGNATURE	DATE		TITLE	
CHKD						
APPVD						
MFG						
G.A.				MATERIAL:	DWG NO: 66787_TF-PSU_ASSY¹	
				WEIGHT:	SCALE:1:1	SHEET 1 OF 1

16

15

14

13

12

11

10

9

8

7

6

5

4

3

2

1