

ORDERING INFORMATION:

P/N:

TF-TDR1-SD

APPLICATIONS:

- Rotorcraft
- General Aviation
- Law Enforcement
- Fire Authority
- EMS
- Automotive Applications
- Marine Applications
- Locomotive
- Pipe & Power Line Inspections
- Military & Defense
- Flight School
- SAR

Contact:

www.TechFury.com

Sales@techfury.com

TF-TDR1-SD



FEATURES:

- Single Channel Analog/CVBS/RS170 Tactical Data Video Recorder
- Record in NTSC/PAL
- Internal memory storage
- Record to dual external USB drives simultaneously
- GPS Overlays with .KML & .GPX files
- Live Trigger & Flag Overlays
- Audio input as embedded or Analog Line Level (1Vp-p)
- H.264 compression
- Multi-Channel Interface

The TF-TDR1-SD is the next generation of Tactical Data Recorders designed for all applications for land, air and sea operations. The TF-TDR1-SD is capable of recording one independent Analog/CVBS/RS170 signal (H.264 AVC Profile 4.2 / Motion JPEG) from a variety of video input options ranging from FLIR, Westcam, Imperx CMOS Cameras, Marshall Industries, SD Block Cameras and/or any NTSC/PAL Analog camera on the market. In addition to standard definition video, the TF-TDR1-SD can accept a single stereo audio input (G.711 / AAC) from an audio panel or headset which is synchronized with video during playback.

The TF-TDR1-SD is capable of live streaming via SRT / RTSP / RTMP / HLS / UDP-TS / Onvif.

Technical Specifications

ORDERING INFORMATION:

P/N:

TF-TDR1-SD

APPLICATIONS:

- Rotorcraft
- General Aviation
- Law Enforcement
- Fire Authority
- EMS
- Automotive Applications
- Marine Applications
- Locomotive
- Pipe & Power Line Inspections
- Military & Defense
- Flight School
- SAR

Contact:

www.TechFury.com

Sales@techfury.com

VIDEO	
CVBS Input	1 x Composite / Analog Input
CVBS Output	1 x Composite / Analog Output
Broadcast Formats	NTSC / PAL
Encoding	H.264 AVC Profile 4.2 / Motion JPEG
Encoding Latency	≤ 67ms
Coding Bitrate	16kbits/sec - 32Mbits/sec
Bitrate Control	Constant Bit Rate (CBR) / Variable Bitrate (VBR)
STREAMING	
Streaming Protocols	SRT / RTSP / RTMP / HLS / UDP-TS / Onvif
Dual Stream Output	Main Stream Code Rate up to 1080p60Hz
	Sub-stream Code Rate up to 720p60Hz
AUDIO	
Stereo Formats	G.711 / AAC
Sample Rates	8 / 16 / 22.05 / 32 / 44.1 / 48 / 64 / 88.2 / 96 KHZ
Bitrate	16 / 24 / 32 / 48 / 64 / 72 / 80 / 96 / 128 / 160 / 192 / 256 Kbps
Sampling Precision	24 bit
Coding Bitrate	64Kb/s - 384Kb/s
MEDIA & MEMORY	
Internal Memory	Internal Memory - 16GB (Standard)
	Internal Memory Upgrade Options: 32GB, 64GB, 128GB, 256GB, 512GB, 1TB
External Media	2 x USB 2.0 or 3.0 Drives (Record same files to both drives)
FILE TYPE	
Record File Types	.ts / .avi / .mp4 / .mov / .mkv
GPS File Types	.kml / .gpx
Image File Types	.jpeg

ORDERING INFORMATION:

P/N:

TF-TDR1-SD

APPLICATIONS:

- Rotorcraft
- General Aviation
- Law Enforcement
- Fire Authority
- EMS
- Automotive Applications
- Marine Applications
- Locomotive
- Pipe & Power Line Inspections
- Military & Defense
- Flight School
- SAR

Contact:

www.TechFury.com

Sales@techfury.com

GPS INPUT & OVERLAYS	
GPS Input	GPS, GNSS, NMEA 0183, GPGGA/GPRMC/GPGSA/GPVTG parsed 1 Hz / 5 Hz / 20 Hz (Optional)
GPS Overlays	Coordinates : Degrees/Minutes/Seconds or Degrees/Minutes or Degrees Altitude: Feet / Meters Speed: Knots / MPH / KPH Bearing (Heading) GPS Time & Date Overlay (GPST)
Text & Image Overlays	16 Fields Available
System Time Overlay	System Time Overlay
OVERLAY PARAMETERS	
Overlay Activation	Always / Video Input Detection / No Video Detected
Position	Top Left / Top Center / Top Right / Center Right / Center / Center Left / Bottom Right / Bottom Center / Bottom Right / Customizable
Font	Verdana / Lucida / Default
Font Color	Black / White / Red / Blue / Green / Purple / Yellow / Cyan
Font Size	Auto (Small/Medium/Large) / Custom (9px - 96px)
Font Style	Normal / Bold
Line Spacing	0 - 3x
Text Outline	0px - 10px
Outline Color	Black / White / Red / Blue / Green / Purple / Yellow / Cyan
FRONT PANEL	
Media	2 x USB 2.0 or 3.0 (External Drives)
Record Function	Momentary Rocker ON/OFF Switch with LED indicator
LED Indicators	1 x Power 1 x Fault 1 x GPS

ORDERING INFORMATION:

P/N:
TF-TDR1-SD

APPLICATIONS:

- Rotorcraft
- General Aviation
- Law Enforcement
- Fire Authority
- EMS
- Automotive Applications
- Marine Applications
- Locomotive
- Pipe & Power Line Inspections
- Military & Defense
- Flight School
- SAR

Contact:

www.TechFury.com

Sales@techfury.com

REAR PANEL	
Video I/O	1 x BNC for Analog/CVBS/RS170 Input
	1 x BNC for Analog/CVBS/RS170 Output
External Record Switch	1 x External Record Switch (LEMO Push-Pull Locking)
Audio Input/Output	1 x Audio Input (LEMO Push-Pull Locking)
GPS Input	1 x GPS Input (LEMO Push-Pull Locking)
Trigger	1 x External Triggers (LEMO Push-Pull Locking) (2 triggers available)
Multi-Link	1 x Multi-Link for multi-channel connections (DB9)
Ethernet	1 x LAN Ethernet (Settings Configuration)
Power	1 x Power Input (MIL-SPEC 3-pin)
MANAGEMENT	
Network Connection	WEB GUI via Ethernet Port
POWER	
Power Input	12-36VDC input (Nominal 12 volts 1A/5W)
PHYSICAL	
Operating Temperature	-40° Celcius to +85° Celcius (-40° Fahrenheit to +185° Fahrenheit)
Storage Temperature	-65° Celcius to +95° Celcius (-85° Fahrenheit to +203° Fahrenheit)
Humidity	10% - 90% relative
Dimensions	140mm (L) x 140mm (W) x 50mm (H) / 5.5in (L) x 5.5in (W) x 1.9in (H)
Weight	1.75 lbs / 0.79kg / 28oz
Mounting	4 x 1/4x20 Mounting Holes on both sides (L-bracket Mount Included)

Technical Drawings

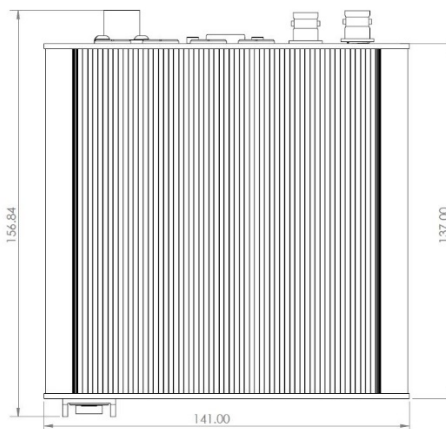
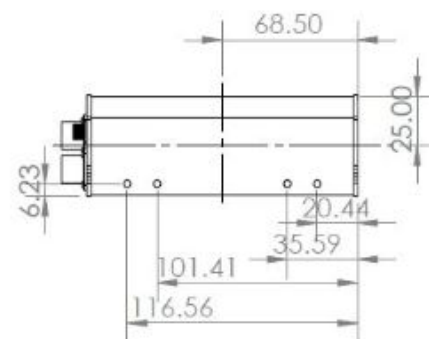
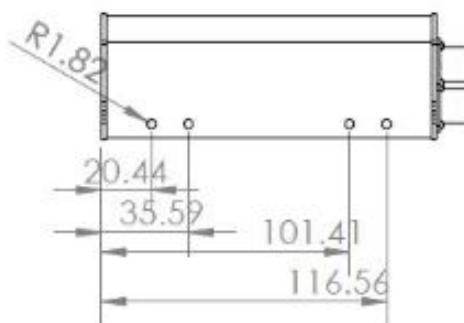
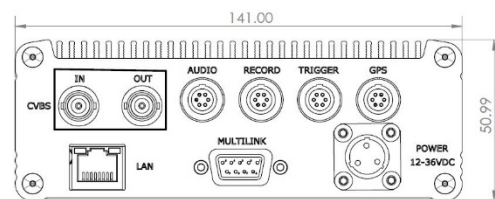
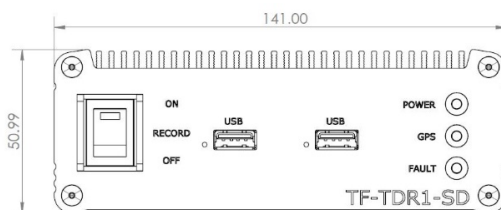
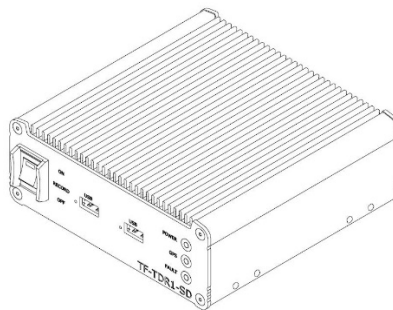
ORDERING INFORMATION:

P/N:

TF-TDR1-SD

APPLICATIONS:

- Rotorcraft
- General Aviation
- Law Enforcement
- Fire Authority
- EMS
- Automotive Applications
- Marine Applications
- Locomotive
- Pipe & Power Line Inspections
- Military & Defense
- Flight School
- SAR



Contact:

www.TechFury.com

Sales@techfury.com