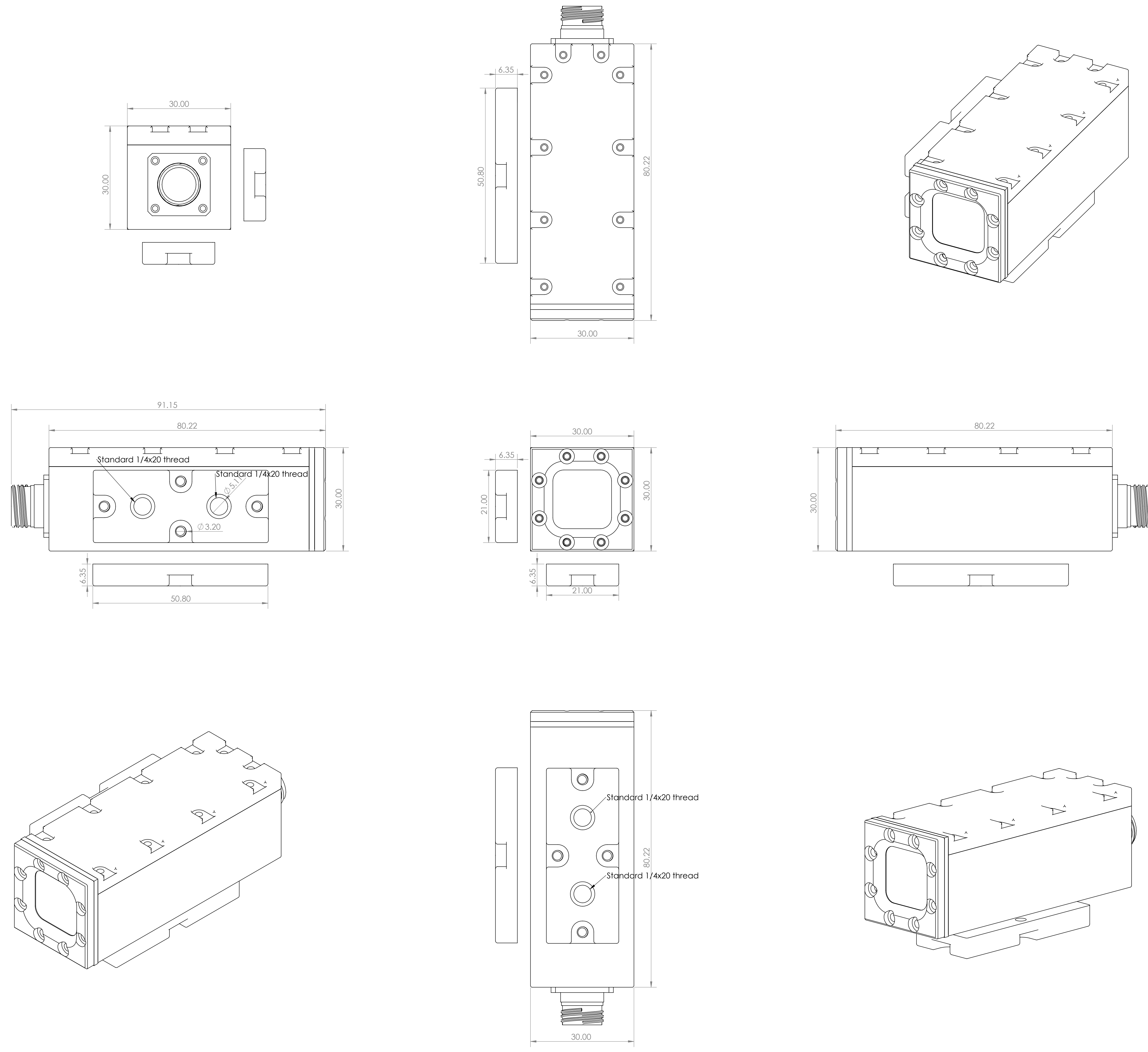


24 23 22 21 20 19 18 17 16 15 14 13 12 11 10 9 8 7 6 5 4 3 2 1

T
R
P
N
M
L
K
J
H
G
F
E
D
C
B
A



UNLESS OTHERWISE SPECIFIED, DIMENSIONS ARE IN MILLIMETERS	FINISH	DESIGN AND DRAWING CODES	DO NOT SCALE DRAWING	REVISION
FORM AND TOLERANCE				
DESIGN: _____	NAME: _____	SIGNATURE: _____	DATE: _____	
DRAWN: _____	TITLE: PV_MILLCAM-R3			
APP'D: _____	MATERIAL: _____			
DATE: _____	DIMENSIONS: 54712_ASSY_NK			AD
SCALE: _____	SCALE: _____			SHEET 1 OF 1

24 23 22 21 20 19 18 17 16 15 14 13 12 11 10 9 8 7 6 5 4 3 2 1